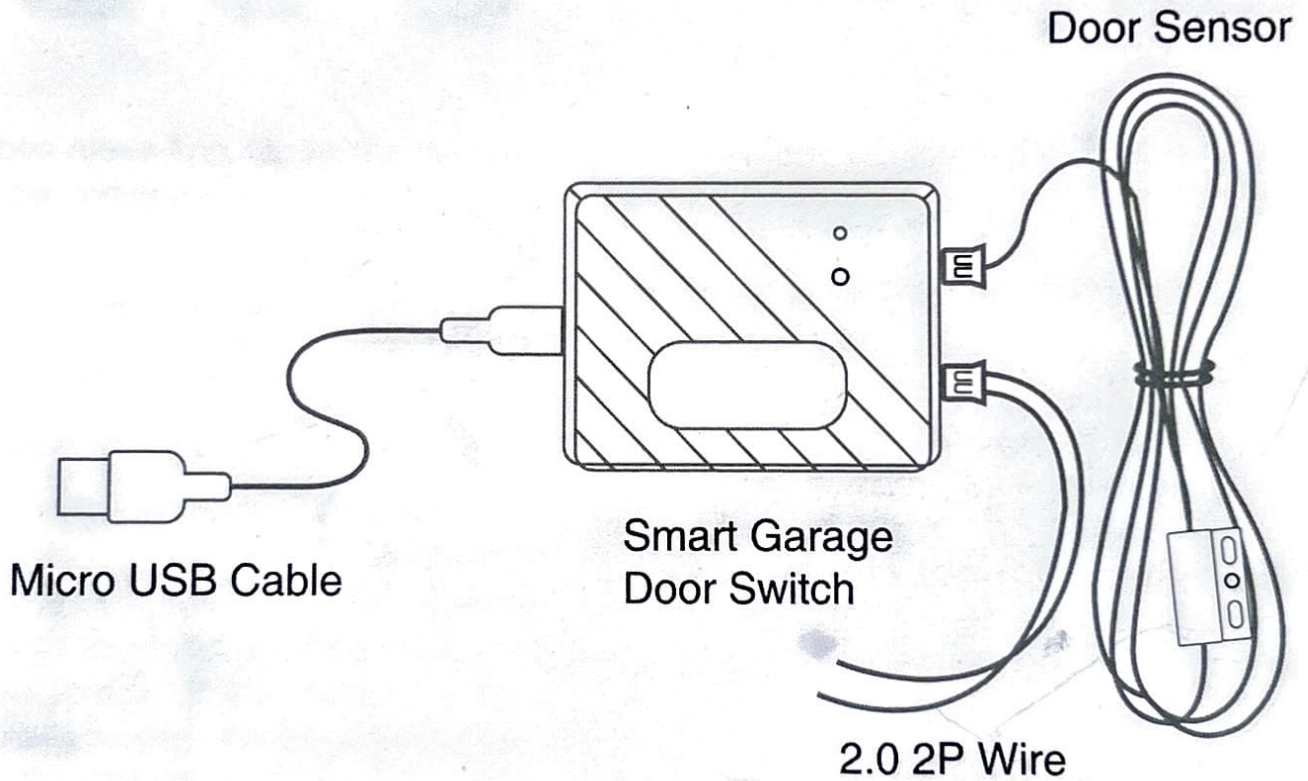




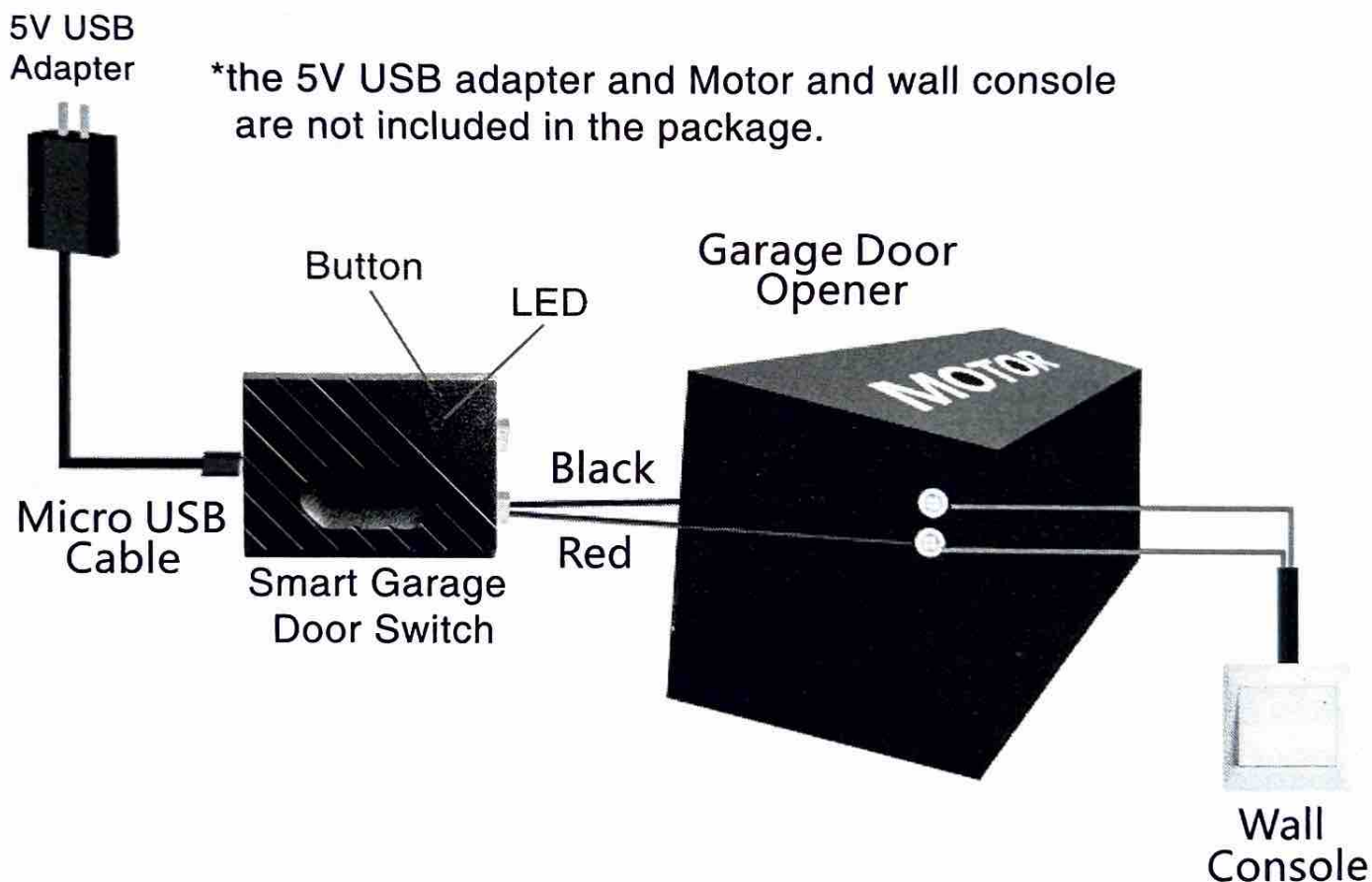
# WiFi SMART GARAGE DOOR OPENER



\*Please read this manual carefully before use and keep it for future reference.

# ! Test Device For Opener Compatibility

1. Connect the Smart Garage Door Switch to USB adapter, Green LED will turn on within 10seconds
  - \* The 5V USB adapter is not included in the package.
  - \* The 5V USB adapter should be more than 2A (2000mA) output.
2. Use the included Red & Black wire connect the Smart Garage Door Switch to your Opener : put each end to the same terminals as the wall button wires are terminated to.
3. Use a tiny screw or nail to click the button in the Smart Garage Door Switch, your Garage door should activate.



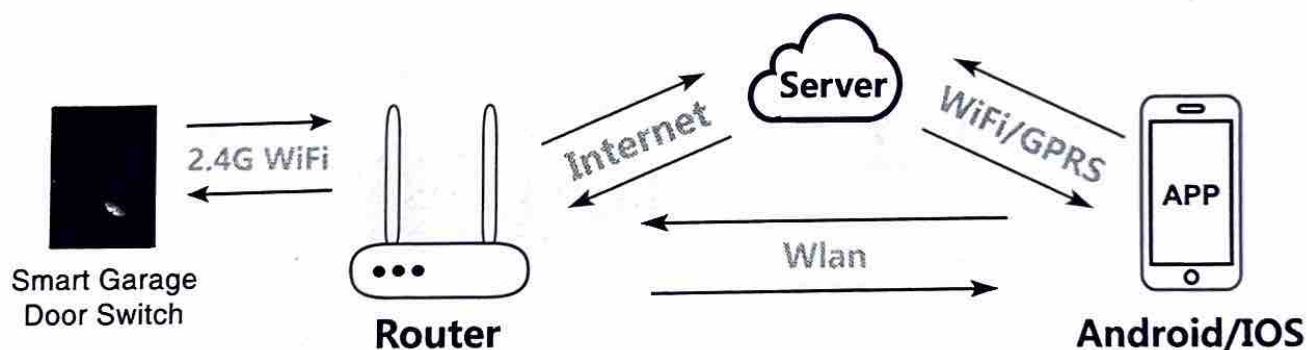
NOTE: Please have 5-second long press for network pairing

If this test fails, your device may not be compatible. For additional installation Instructions and the list of compatible models

**Test ok ! Click the button every time ,the garage door will open or close.**

## **Below are checklist before using the device:**

- Your smart phone or tablet should have connected a 2.4G WIFI with internet.
- The device only supports 2.4G WiFi. If you use a 5G router (it provides two WiFi signals:5G and 2.4G), please select the 2.4G WIFI to connect your smart phone .
- Download APPs: "Tuya Smart" APP from APP Store or google play store.
- During pairing process, make sure that your iOS or Android device and the Smart Garage Door Switch are within the range of your WiFi router.
- Make sure your router is MAC-open. If not, please cancel the router's MAC filtering setting first.



 Tuya Smart



\* Install the "Tuya Smart" APP

## Add Device

- ① Connect the Smart Garage Door Switch to USB adapter, Green LED will turn on within 10 seconds
- ② Use a tiny screw or nail to keep pressing the button in the Smart Garage Door Switch for 5s, until the Green LED rapidly blinks (twice per second).
- ③ Launch APP, tap the icon “+” on the right top.
- ④ Select the “All Devices” Select the “Door Window” type.
- ⑤ Tap “confirm indicator rapidly blink”.
- ⑥ Input the correct 2.4G WiFi passwords. Then, tap confirm.
- ⑦ It will auto-connect with the device . Once the process is completed, it will prompt you that you can rename the device. Enter a new name and Save.

**If failed, please “View help” then try again.**

All Devices

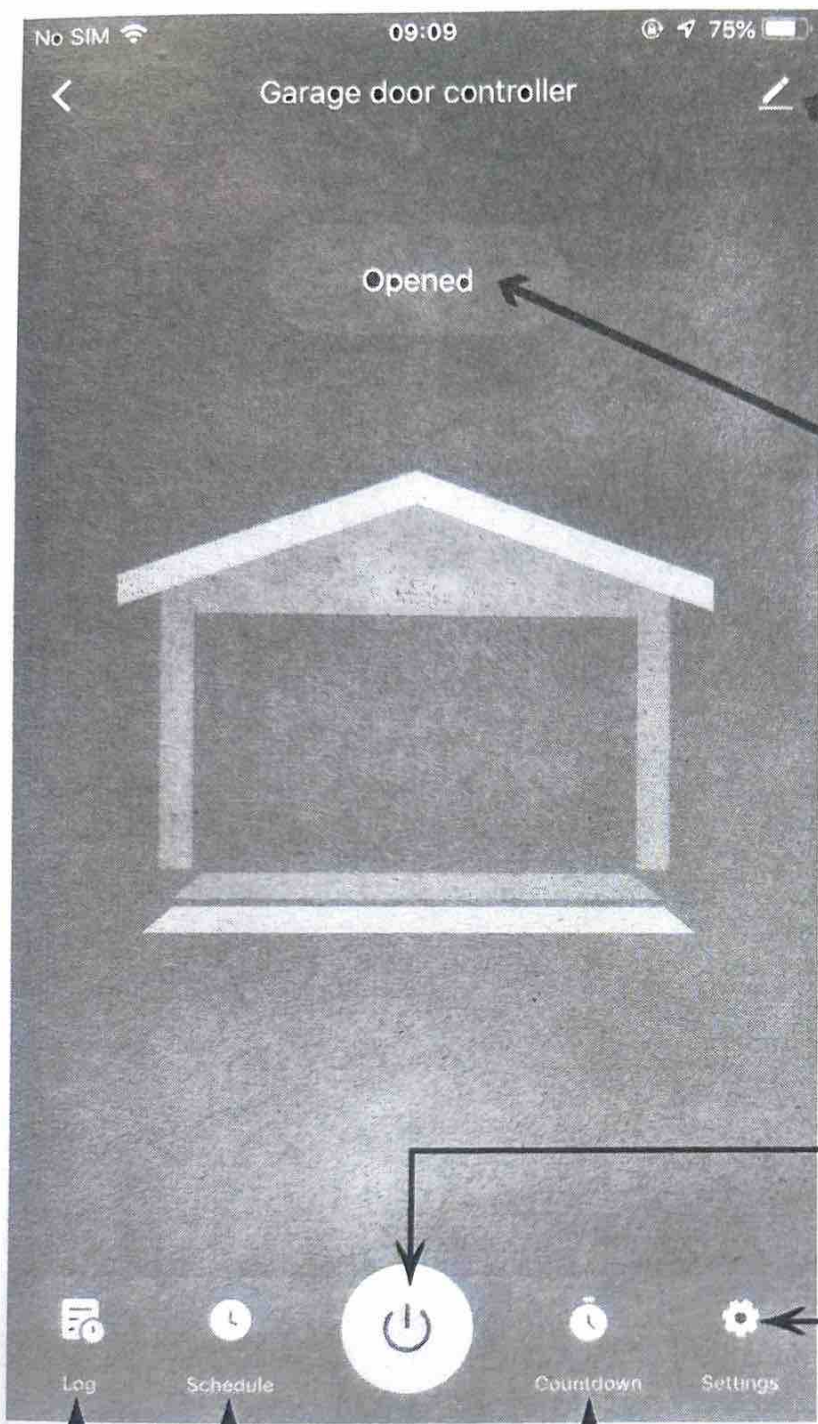
-



Garage door controller



One Smart garage door switch can only control one garage door. But the APP can add multiple Smart garage door switch.



Rename/share/OTA/Remove

Manage Group /Position

Device ID/IP/MAC/Feedback

Open alarm/Close alarm

Tap to Open /Close

Door opening and closing alarm reminder switch

For fast single countdown timer

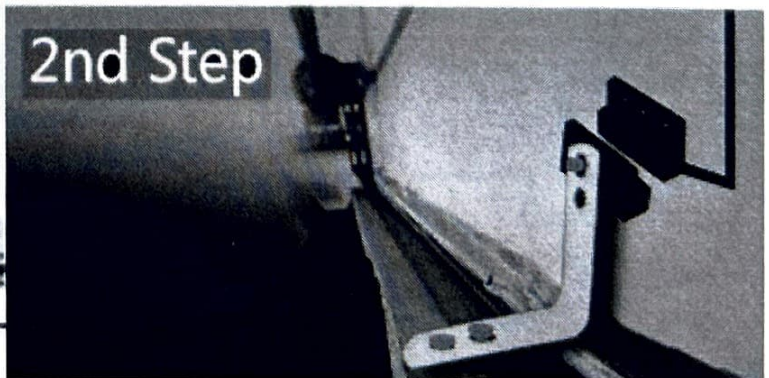
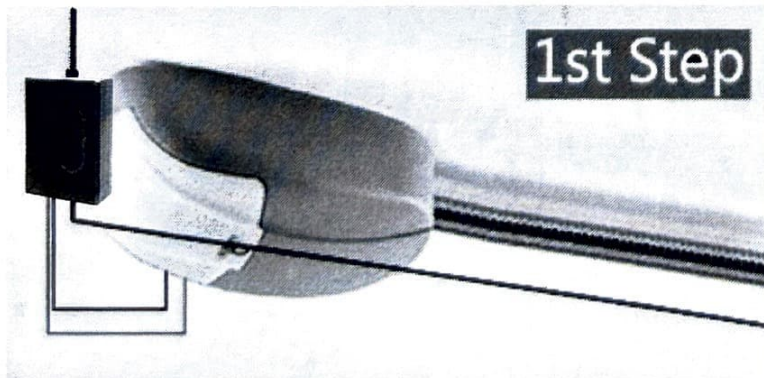
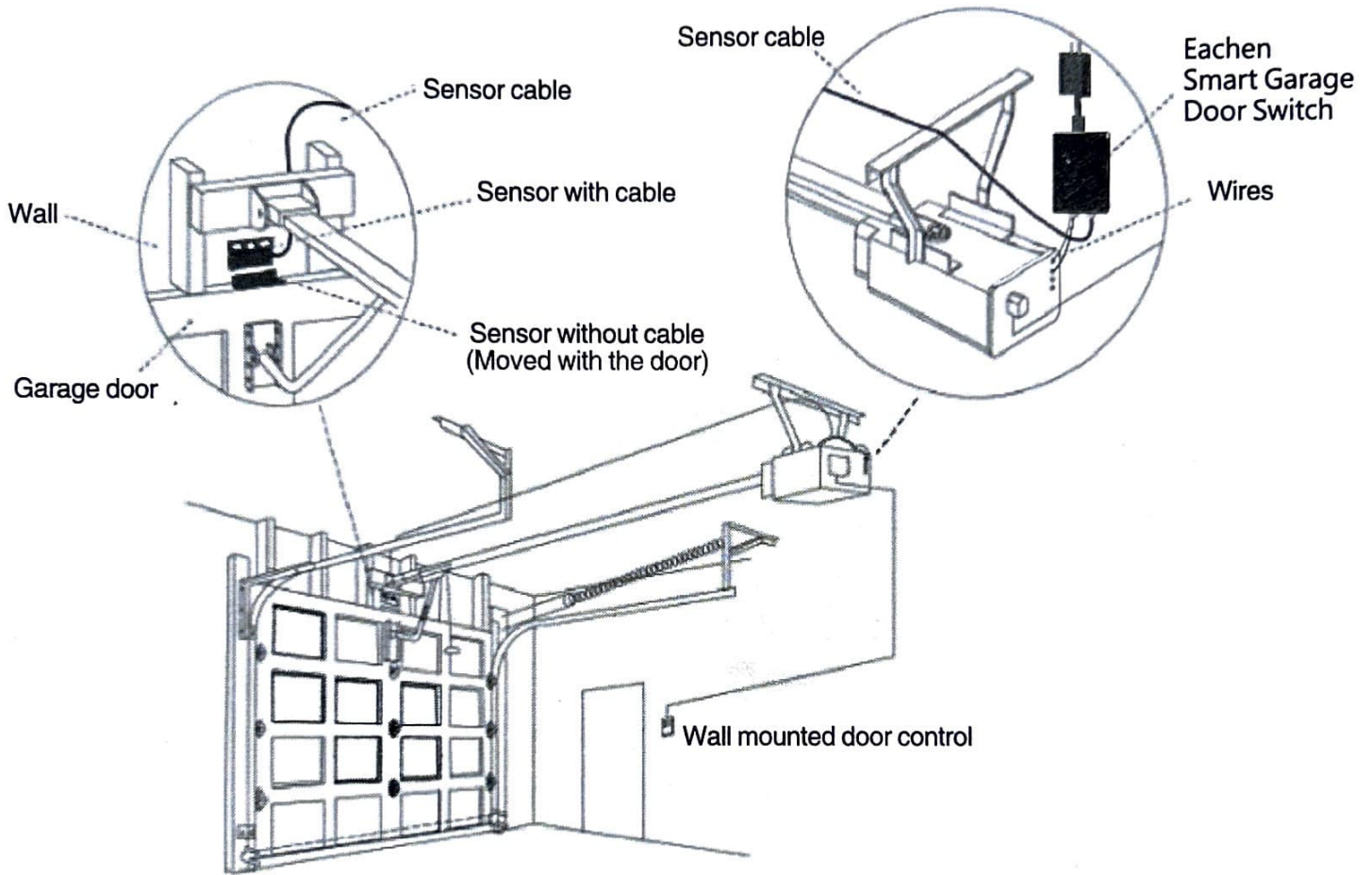
Check the operation records

For single/repeat times



Do this installation After you successfully added the device to your app.

# EASY INSTALLATION



## 1st Step: Power up.

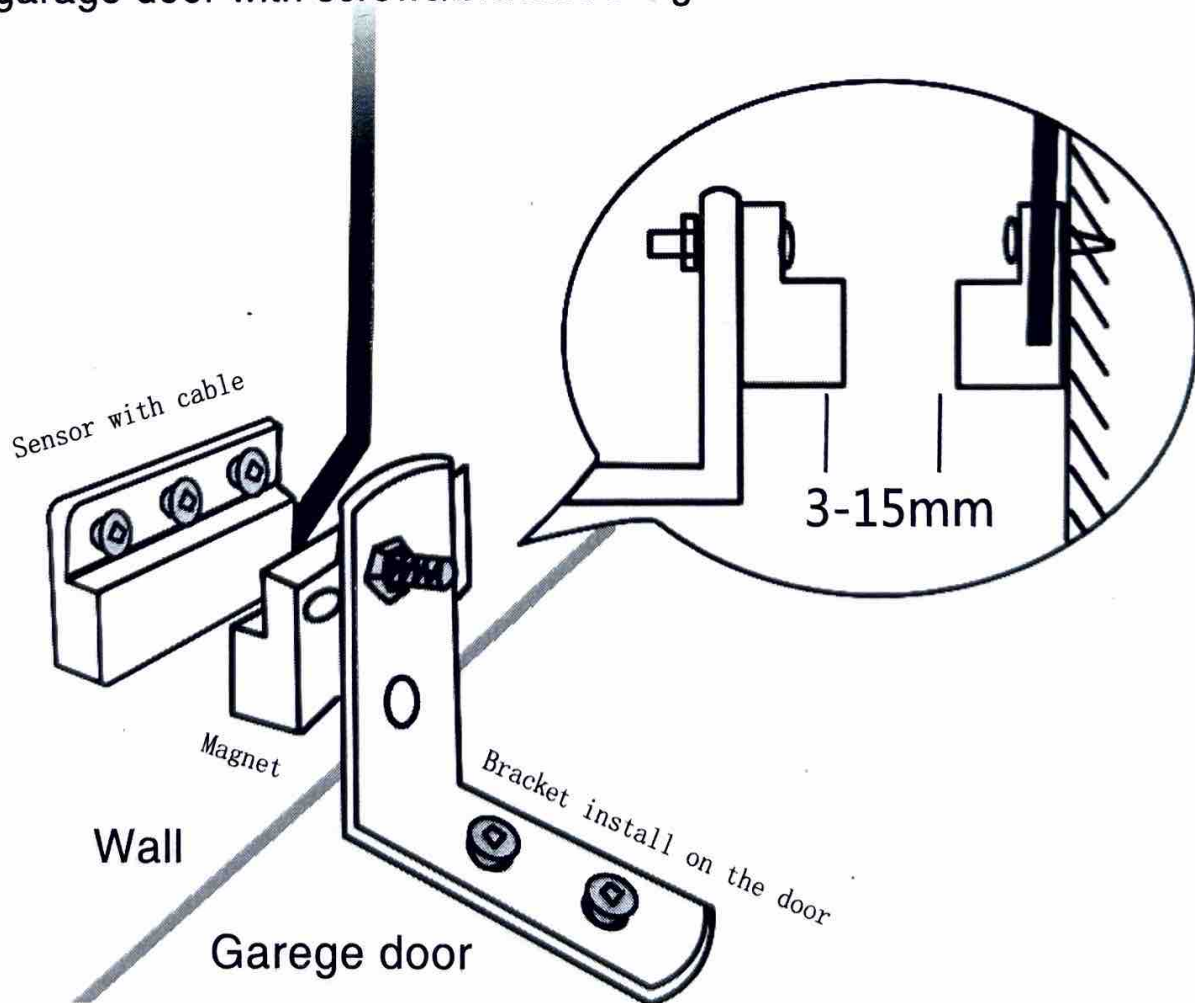
- \* The 5V USB adapter is not included in the package.
- \* The 5V USB adapter should be more than 2A (2000mA) output.

## 2nd Step: Connect to the wall console.

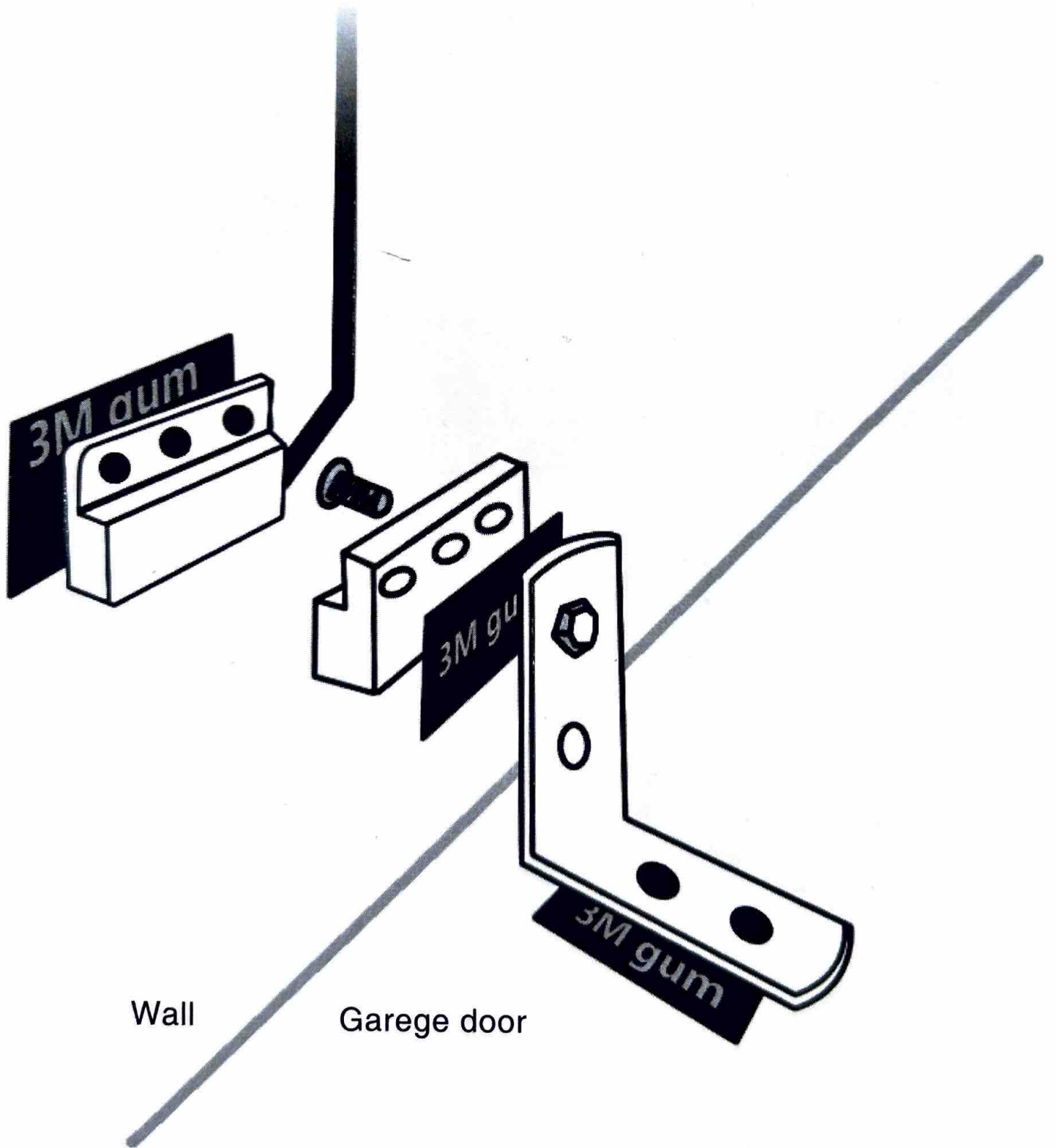
Insert the Red & black wire 2.0mm terminal to the smart garage door switch, then put each end to the same terminals as the wall button wires are terminated to.

## 3rd Step: Connect to the garage door.

Insert the 2.0mm terminal of the sensor to the smart garage door switch, then steady install the sensor and the magnet of the gap within 3mm to 15mm on your garage door with screws/bracket/3M gums/wall nail/line holders/ties.



If it is hard to install with screws, you can also use the 3M gums to finish.  
If you are worried about the steady, you can use both screws and 3M gums.







## Works With Alexa

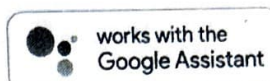


- ① Open Alexa App, tap on the menu on Upper left corner. Go to skills.
- ② Enter "Tuya Smart" in the search field and search.
- ③ Tap "Tuya Smart" .
- ④ Enable the skill.
- ⑤ Enter your account information and Tap on 'log in' to link your account to your Amazon account. If your account is a phone number , you should select your country . If your account is an email address, please select a random country/region code.

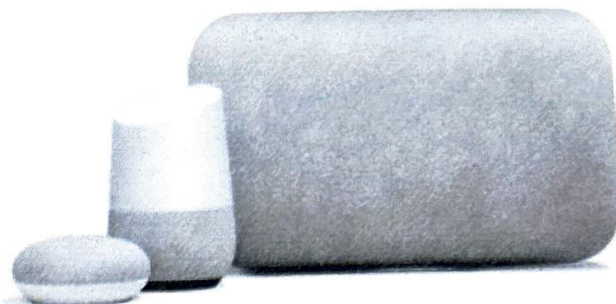
Voice commands:

"Alexa turn on {device name}"

"Alexa turn off {device name}"



## Works With Google Home



- ① Launch Google Home app, tap the menu
- ② Tap Home control.
- ③ Under Devices, tap the + icon.
- ④ Tap "Tuya Smart" .
- ⑤ Enter your account information and Tap on 'log in' to link your account to your Amazon account. If your account is a phone number , you should select your country. If your account is an email Address, please select a random country/region code.

Voice commands:

"Hey google, turn on {device name}"

"OK google, turn off {device name}"