

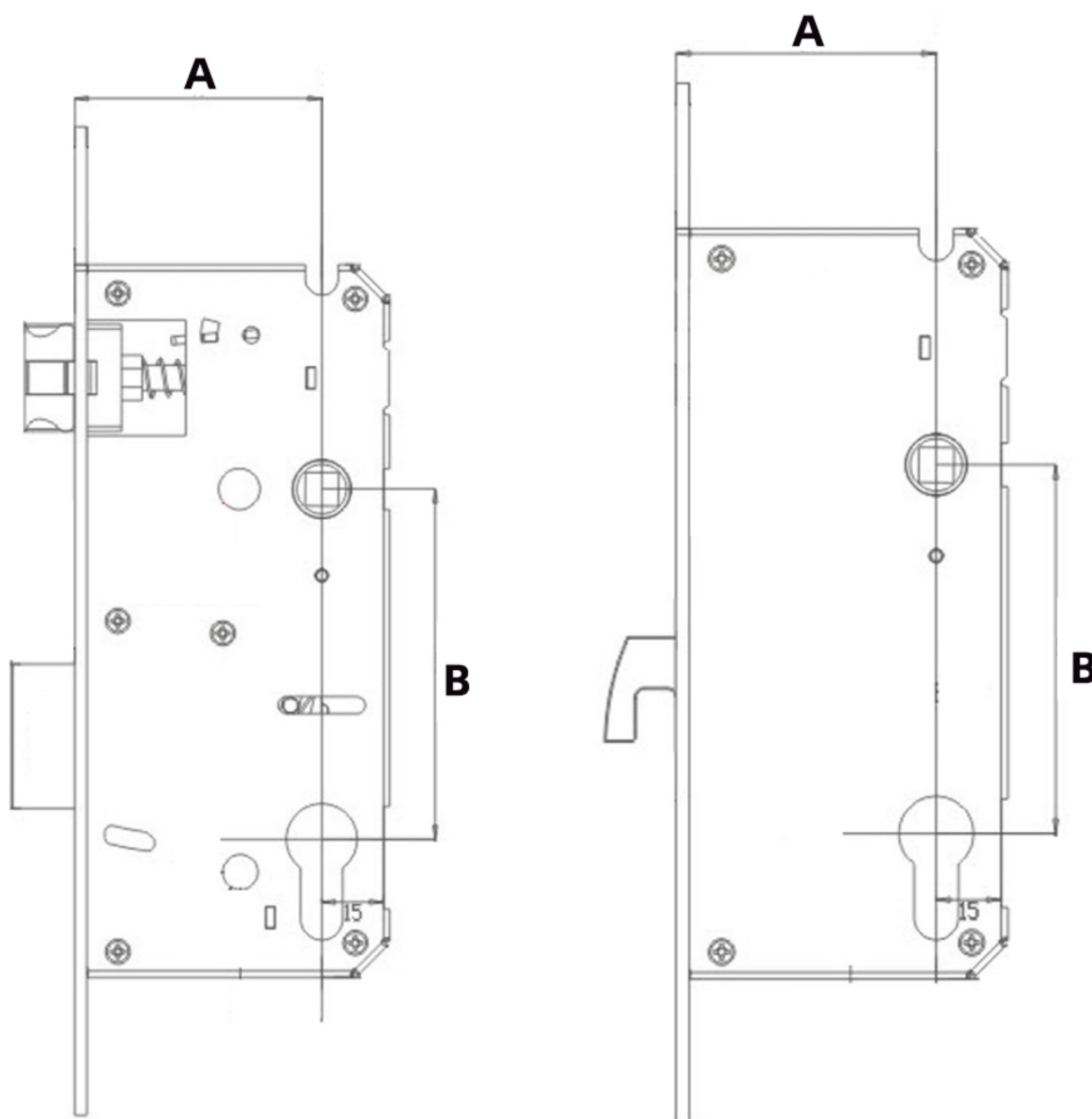
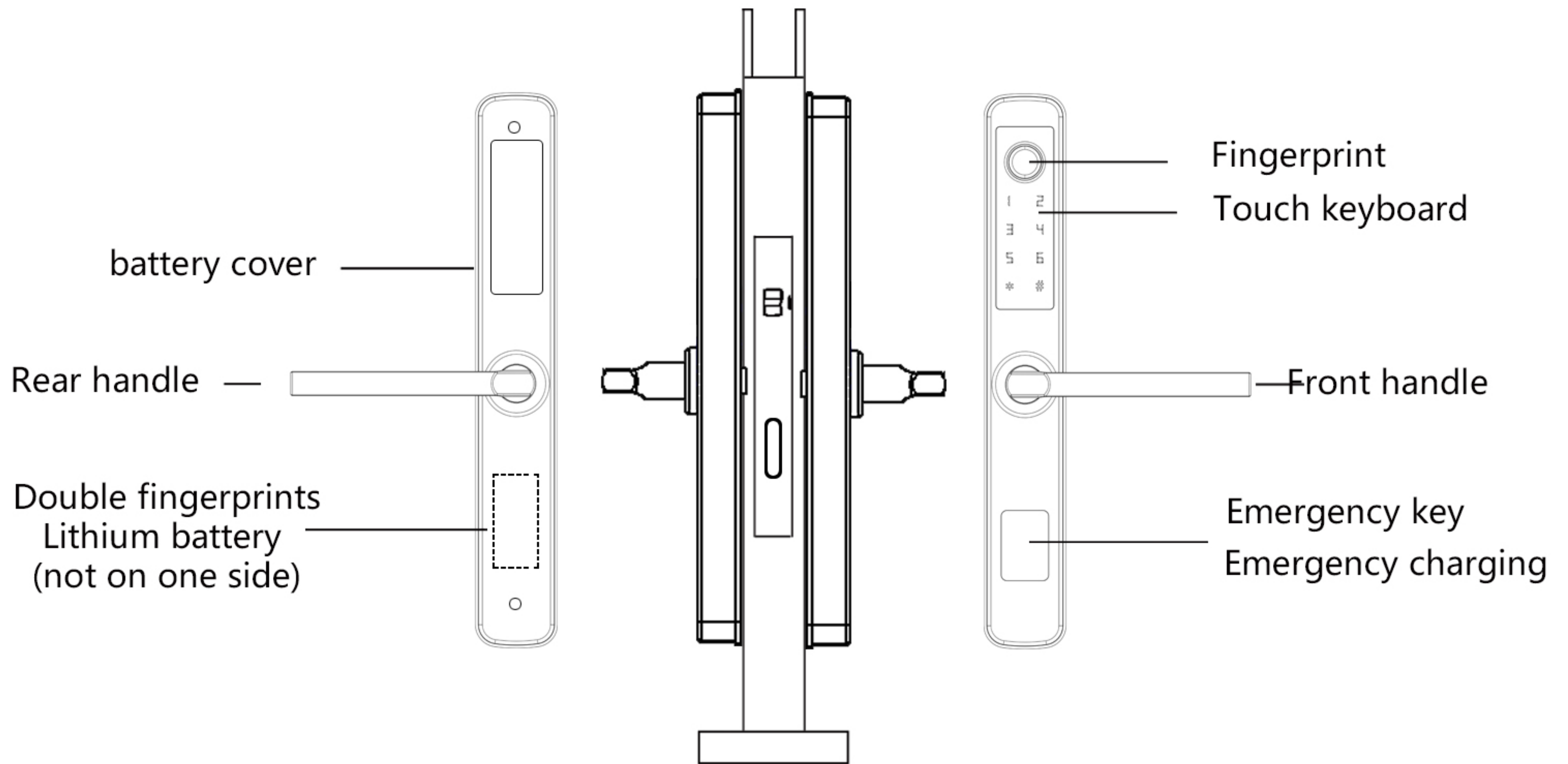
1

PRODUCT NOTICE AND PRODUCT MAP

Dear users, Hello! Thank you for using this smart lock. Please check the product list carefully before you install and use this product, read the installation instructions, and install the product according to this installation instruction. If it is not installed according to this installation instruction, the direct or indirect product problem will be caused. , and other hazards and losses, our company does not assume any responsibility.

Inner panel

Outer panel



UNIT: mm

A	28	30	35	40	45	60
B	85	85	85	85	85	85

Support above 6 sizes
And multi-point lock body size

**OPEN DOOR LOCK BODY
HORIZONTALLY**

**SINGLE HOOK/DOUBLE HOOK
LOCK BODY**

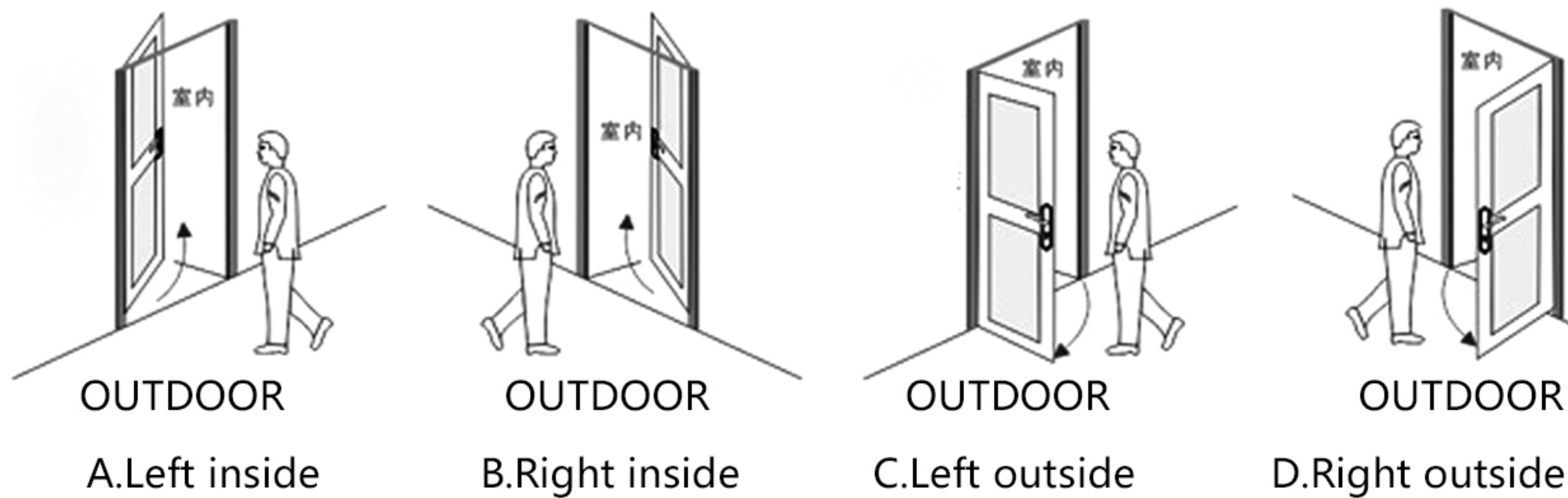
2

INSTALLATION INSTRUCTIONS

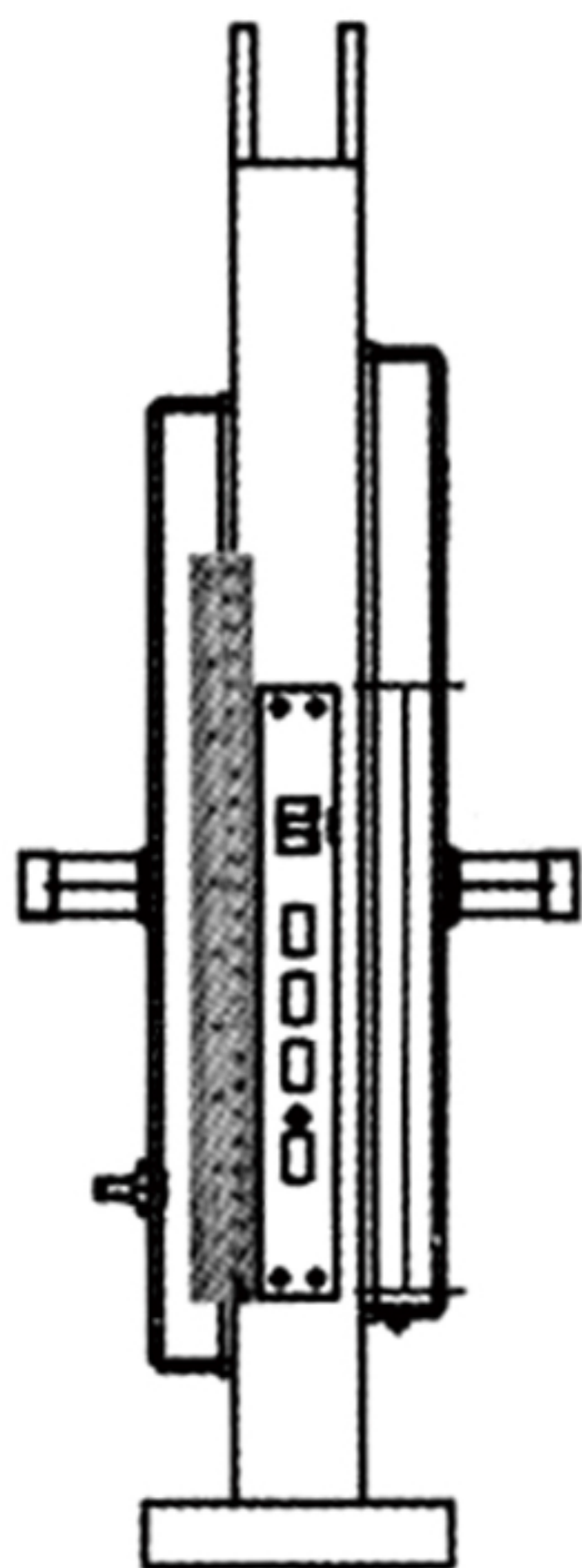


The door lock, lock body and handle can be used for different opening doors, which can be reversed left and right. Please select different lengths of mounting accessories according to the thickness of the door.

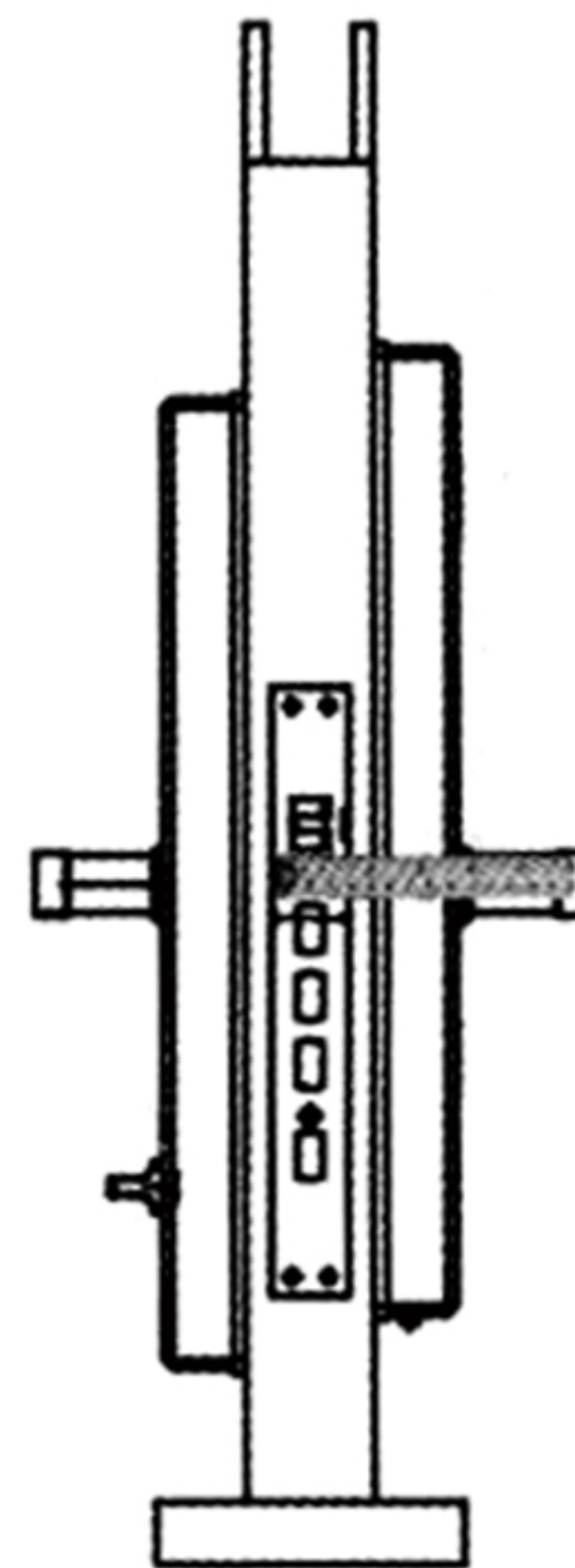
01.OPENING DIRECTION



02.MEASURING THE LENGTH AND WIDTH OF THE GUIDE PIECE



Measuring the length of the guide piece



Measuring the thickness of the guide piece

3

FUNCTION AND OPERATION

3.1 Initialize

One-sided initialization:

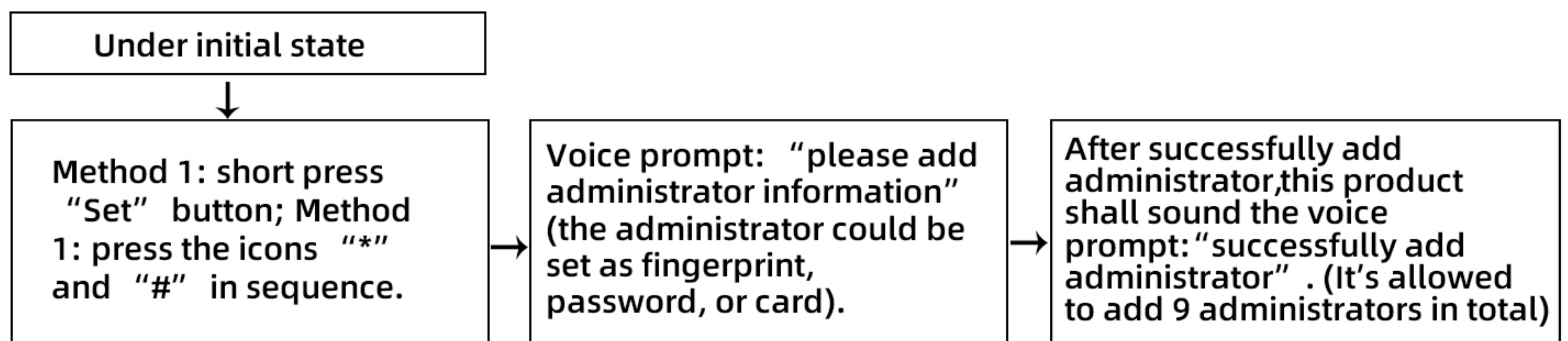
Long press the button "Set" (on the rear panel) for 5s, and sound the voice prompt "successfully initialized" .

Double-sided initialization:

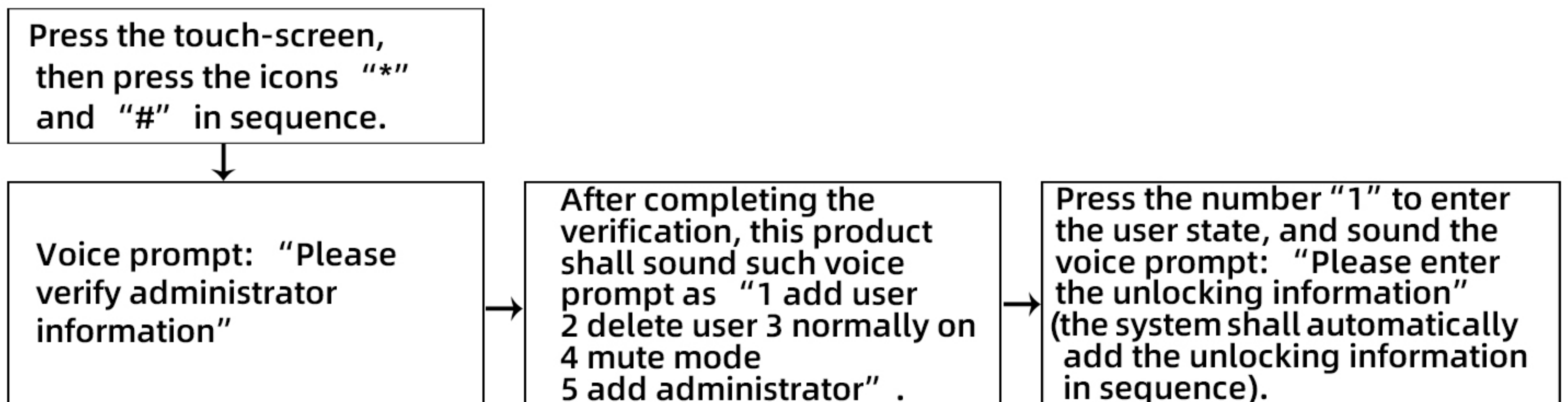
In the front panel (back panel), press *# to enter the Settings menu after verification by the administrator, and select "2 Delete user" type "666#" system initialization (front and back panel each initialization Need to operate separately)

Note: the password under initialized state is 123456, or input any fingerprint to open the door.

3.2 Add administrator' s information (it' s allowed to add 9 administrators at maximum).

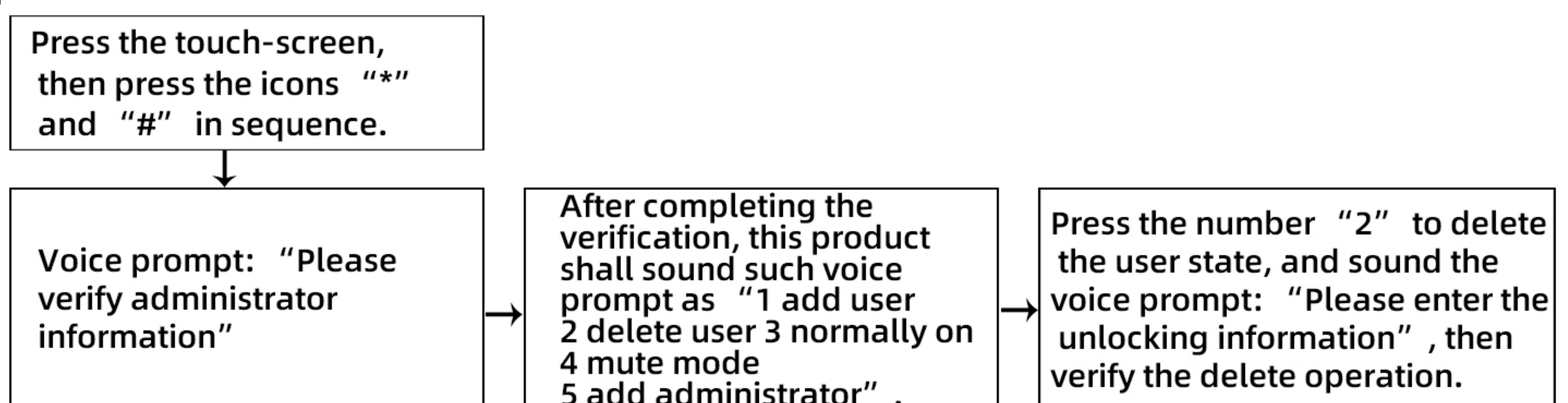


3.3 Add unlocking information

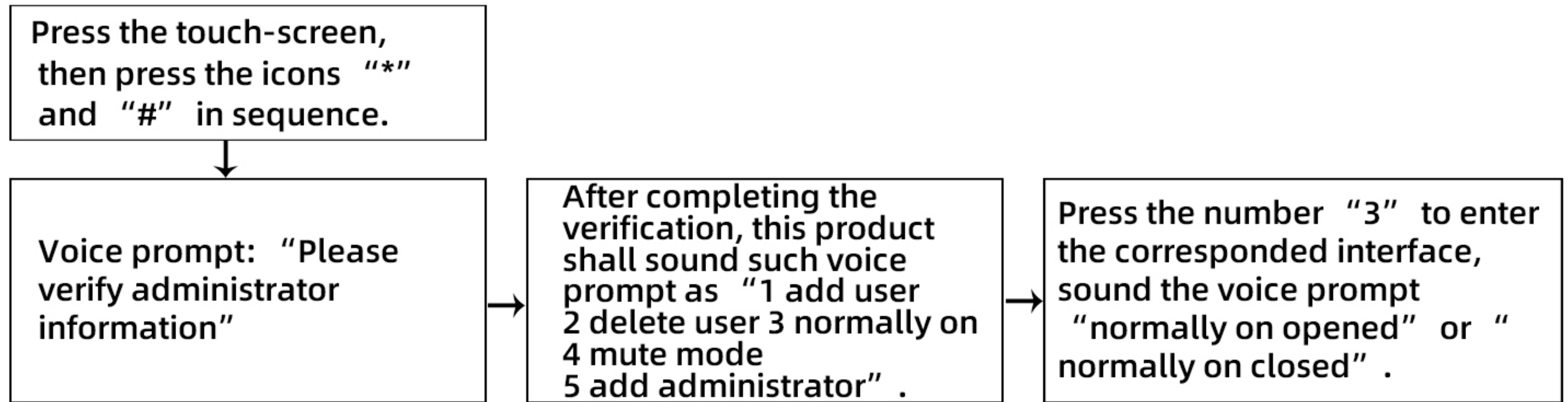


Note: the first 9 unlocking information are refer to the administrators, and it' s allowed to add 300 pieces of unlocking information at maximum). Remote control (optional).

3.4 Delete unlocking information

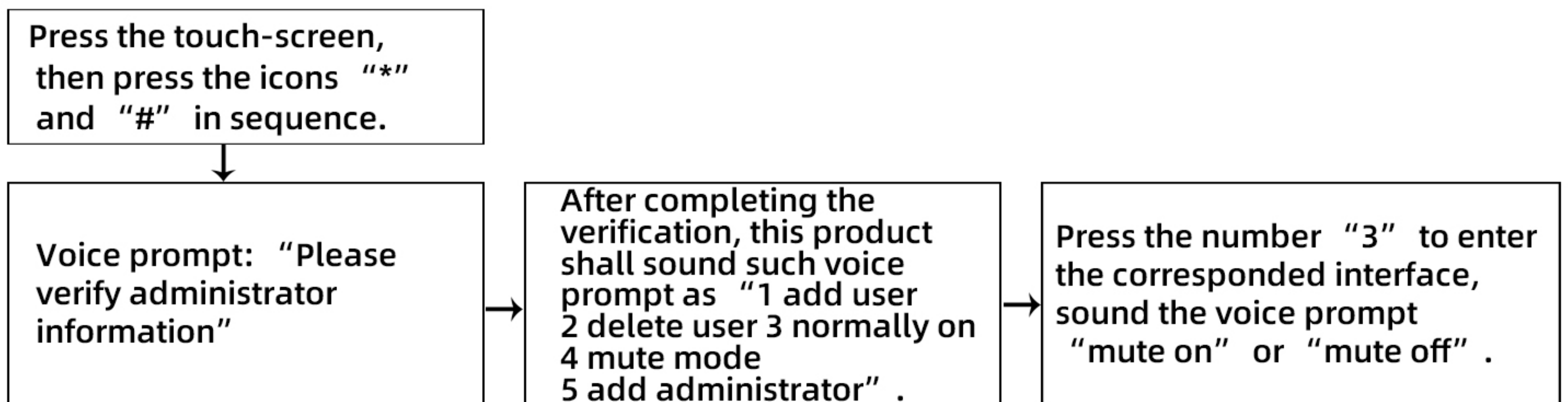


3.5 Normally on



Note: in case the product is working under "normally on" mode, the lock will not close automatically after each unlocking, and needs to be closed manually once

3.6 Mute mode



Note: in case the product is set to such mode as "mute on" , each unlocking shall subject to mute mode.

3.7 Wechat Mini Program

Scan WeChat to open the applet
Please follow the instructions



WeChat Mini Program

3.8 Other descriptions

- 1.If the operator continuously fails to enter the right password for 6 times, the keyboard shall be locked for 1min., and the system shall not response to any operation during this time.
2. Peep prevention password: the password shall be entered by such method as XXX password XXX,that is, add some unrelated code before and after the password, then press "#" for confirmation. The input contents shall contain the password.
- 3.During each operation, the system shall exit automatically if the operator fails to input any command for more than 12s.
- 4.If the voltage is lower than 4.8V, automatic alarm shall be activated during each unlocking operation, and the unlocking operation can be conducted for 200 times after activating this automatic alarm; please replace the battery before reaching the ruled unlocking times, otherwise, there will be unlocking delay.
- 5.Under initial state, input "555666333#" to realize the language switch, and it supports such two languages as Chinese and English.

4

TECHNICAL PARAMETERS

INSTALLATION INSTRUCTIONS USE PICTURES FOR REFERENCE ONLY
PRODUCT DRAWINGS ARE SUBJECT TO THE REAL THING.

Key type	number	Serial number	remark
9	10	1~9	
The average user	280	10~300	

PARAMETER	
POWER SUPPLY	5AA BATTERY
QUIESCENT CURRENT	<50 μ A
WORKING CURRENT	<250 mA
FINGERPRINTS	<= 100
CARDS	<= 300
PASSWORDS	<= 300
REMOTE CONTROL	<= 100
WORKING TEMPERATURE	-10°C ~ 60°C
WORKING HUMIDITY	20% ~ 93%

AFTER-SALES SERVICE WARRANTY CARD

USER NAME (UNIT)				
UNIT				
PURCHASE DATE				
TEL				
MODEL				
NUMBER				
NUMBER	MODEL	PROBLEMS AND SOLUTIONS	SIGNATURE	DATE
01				
02				